

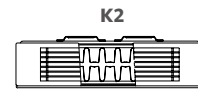
COMPACT WITH STYLE

HORIZONTAL

Designer Series

50 Δt

(75/65/20°C)



Height mm	Length mm	Sections	Stelrad UIN	Heat output		Stelrad UIN	Heat output	
				Watts	Btu/hr		Watts	Btu/hr
300	500	15	7431105	235	802	7432205	465	1587
	1000	30	7431110	469	1601	7432210	929	3171
	1400	42	7431114	657	2242	7432214	1301	4440
	2000	60	7431120	938	3201	7432220	1858	6341
500	400	12	7451104	298	1017	7452204	555	1894
	600	18	7451106	448	1529	7452206	833	2843
	800	24	7451108	597	2038	7452208	1110	3788
	1000	30	7451110	746	2546	7452210	1388	4737
	1200	36	7451112	895	3055	7452212	1666	5686
	1400	42	7451114	1044	3563	7452214	1943	6631
	1600	48	7451116	1194	4075	7452216	2221	7580
	1800	54	7451118	1343	4584	7452218	2498	8526
2000	60	7451120	1492	5092	7452220	2776	9474	
600	400	12	7461104	348	1188	7462204	640	2184
	600	18	7461106	522	1782	7462206	961	3280
	800	24	7461108	696	2375	7462208	1281	4372
	1000	30	7461110	870	2969	7462210	1601	5464
	1200	36	7461112	1044	3563	7462212	1921	6556
	1400	42	7461114	1218	4157	7462214	2241	7649
	1600	48	7461116	1392	4751	7462216	2562	8744
	1800	54	7461118	1566	5345	7462218	2882	9836
2000	60	7461120	1740	5939	7462220	3202	10928	

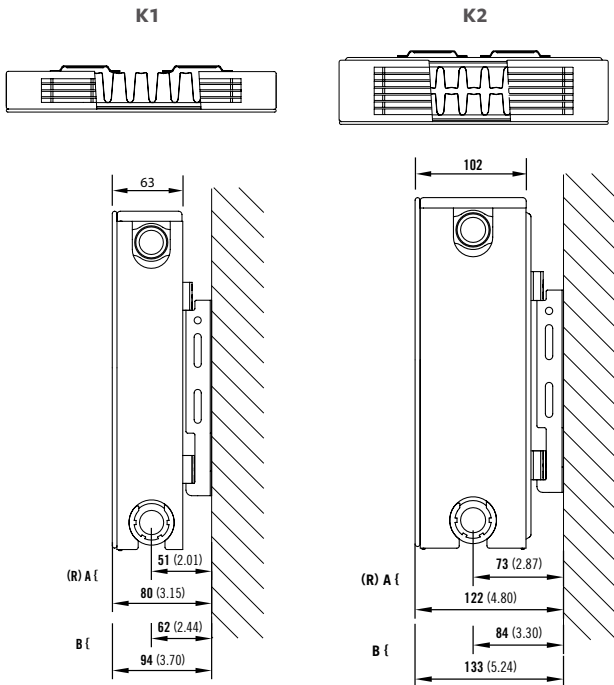
$\Delta t50$ is the UK's industry standard for heating outputs, which has an operating temperature of 75/65/20°C. If you have a low temperature heat source you may wish to consider $\Delta t40$ or $\Delta t30$ output (see your installer or system designer or download from www.stelrad.com).

COMPACT WITH STYLE HORIZONTAL

Designer Series

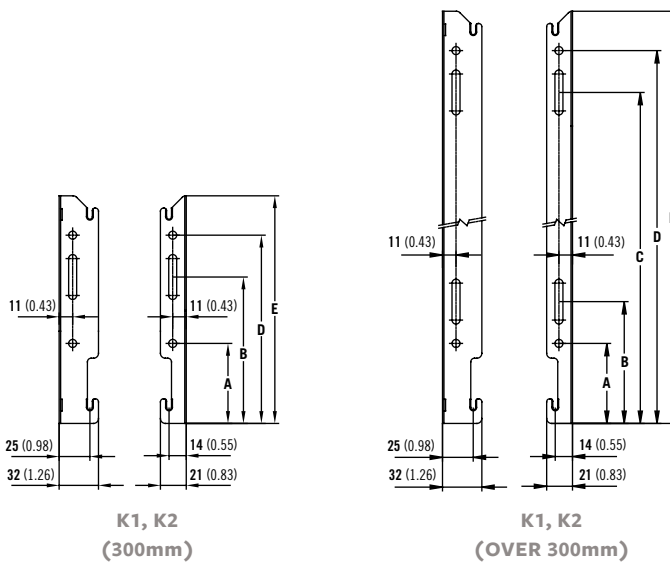
WALL MOUNTING INFORMATION

All dimensions in mm. Inches in brackets. Floor mounting brackets available.



MOUNTING BRACKETS

All dimensions in mm. Inches in brackets. Floor mounting brackets available.

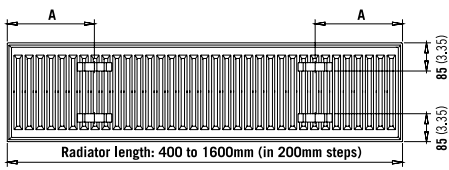
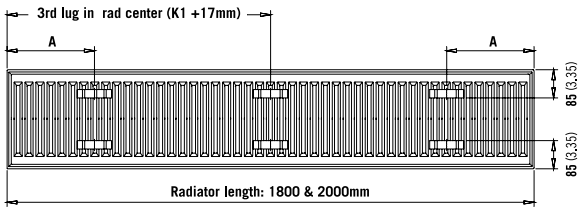


COMPACT WITH STYLE

HORIZONTAL

Designer Series

K1 AND K2 LUG POSITIONS (New as of June 2016).
All dimensions in mm. Inches in brackets.



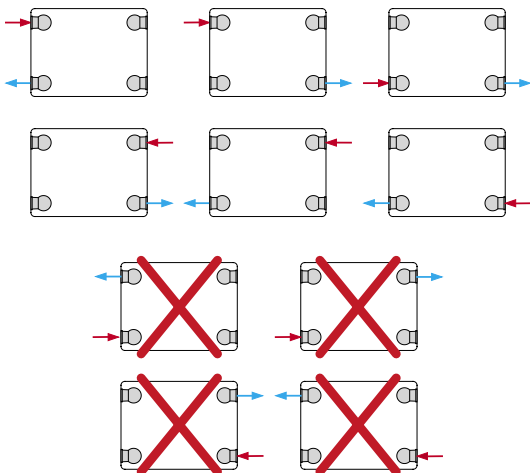
Length	K1		K2	
	mm	mm	mm	mm
400mm	117	4.61	133	5.24
500 - 1000mm	150	5.91	133	5.24
1200 - 1600mm	133	5.24	133	5.24
1800 - 2000mm	3rd lug in rad. centre*			

*K1 + 17mm

CONNECTIONS

Each radiator comes with 1/2" inlet connections as standard.

PIPING OPTIONS



COMPACT WITH STYLE

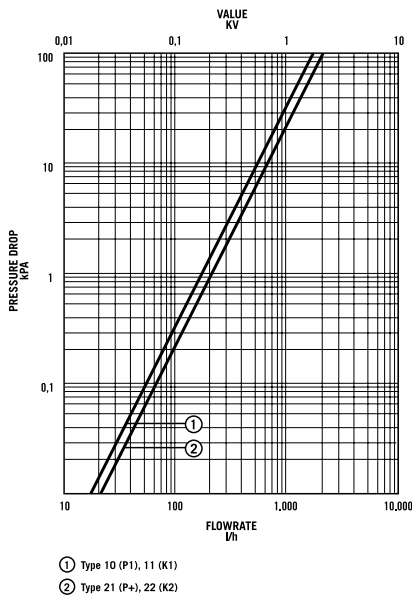
HORIZONTAL

Designer Series

EN 442 CERTIFICATION DATA - CETIAT TESTED IN ACCORDANCE WITH BS EN 442

Type	K1			K2		
	300	500	600	300	500	600
Height	300	500	600	300	500	600
W/m at 75/65/20	470	746	870	898	1388	1601
n-coefficients	1.26	1.28	1.28	1.30	1.31	1.31
Heated surface area (m ² /m)	2.09	3.80	4.66	3.51	6.33	7.74
Weight (kg/m)	14.13	20.23	24.27	19.30	32.03	38.40
Water contents (l/m)	1.81	2.77	3.23	3.10	5.17	6.20
Wall to tap centre (mm)	54	54	54	-	-	-
Floor standing	-	-	-	76	76	76

PRESSURE DROPS



A shade for every room, for every interior. Opt for warm elegance, baroque ambience or modern minimalism.

Natural Colours



NT110
Papyrus white

NT120
Pearl white

NT130
Champagne

NT140
Beige

NT150
Beige grey

NT160
Pebble grey

NT170
Quartz grey



SN110
Cream white

SN120
Cream

SN130
Mocca

SN140
Bordeaux

SN150
Sepia

SN160
Pale blue

SN170
Black

Metallic Colours



ML110
Dove grey

ML120
Titanium grey

ML130
Blue grey

ML140
Granite

ML150
Cappuccino

ML160
Terra brown

ML170
Graphite black

RAL Colours



A1004
Golden yellow

A2003
Pastel orange

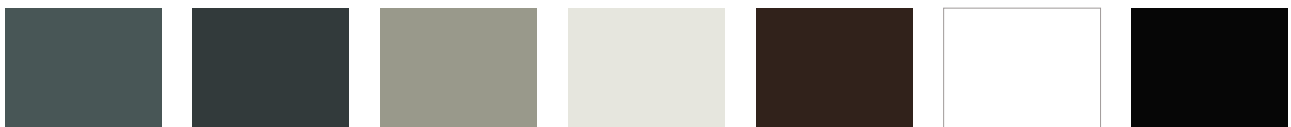
A3002
Carmine red

A3003
Robin red

A5002
Ultramarine blue

A6018
Yellow green

A7001
Silver grey



A7011
Iron grey

A7016
Anthracite grey

A7030
Stone grey

A7035
Light grey

A8017
Chocolate brown

A9003
Signal white

A9005
Jet black



RAL 9016*
Traffic white

FOR FURTHER INFORMATION ON RAL COLOURS PLEASE VISIT WWW.RALCOLOR.COM



Stelrad Radiators are available in white (RAL 9016) as standard, however the specific Radiators identified are now available in a variety of colours. The colours shown are reproduced as accurately as this process will allow and can be made to order on the identified products.

All colour radiators have up to an 8 week lead time, and when a coloured radiator or radiators have been ordered they cannot be cancelled or returned.

To request a colour chart please email marketing@stelrad.com