

# POTTERTON

OIL FIRED BOILERS

## Statesman

System L,  
Flowsure L & Flowsure + L

## Users Instructions

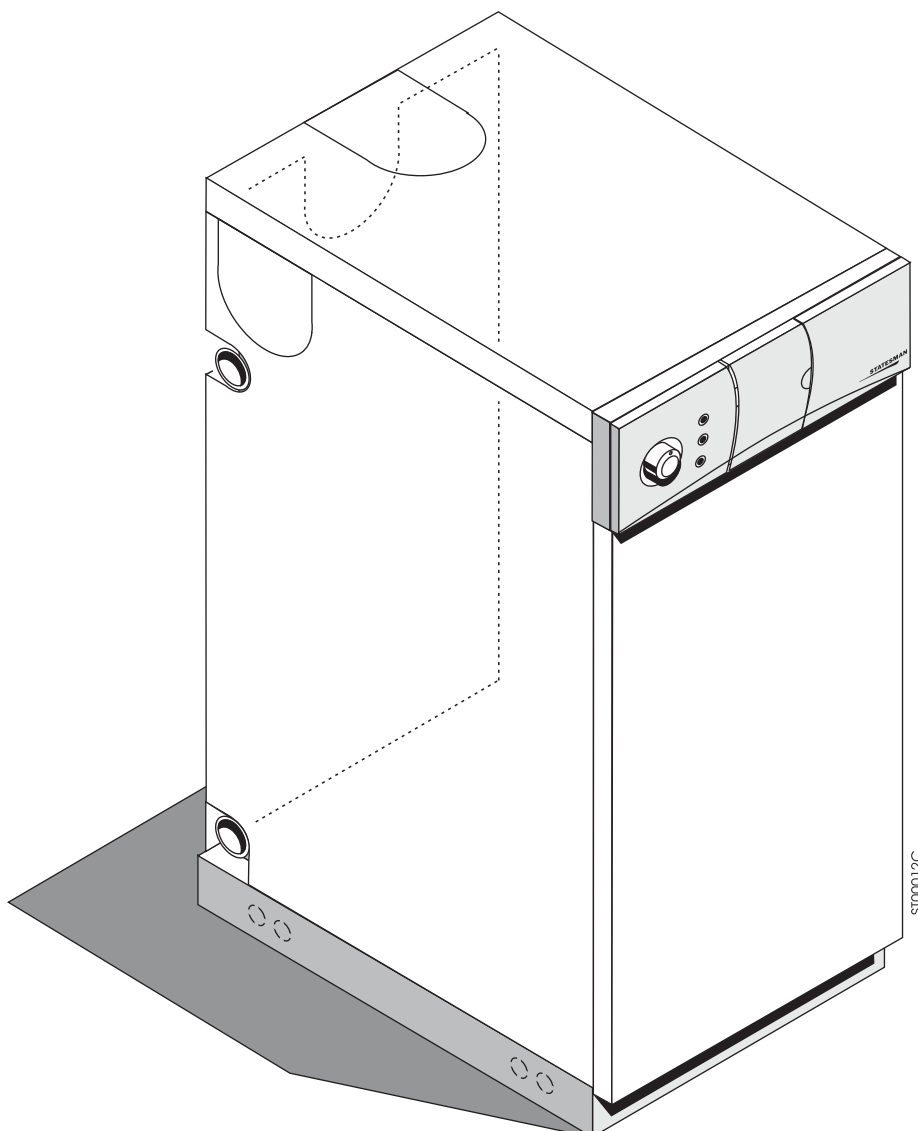
### **About the Boiler**

This is a Floor Standing, Horizontally Fired, Automatic Pressure Jet Oil Boiler.  
The boiler can be flued conventionally or with a kit as a balanced flue.  
This boiler is for use with Kerosine and for use in GB & IE.  
This boiler can be converted for use with Gas Oil.

### **About Safety**

Installation must have been in accordance with the Installation & Service Instructions and the rules in force.

Leave these instructions with the user for use on future calls.



CE

# Contents

Electricity Supply.....	3
Oil Supply.....	3
Fuel Tank.....	3
Air Supply.....	3
Operation of the Burner.....	3
To light the Boiler.....	3
Failure to Light.....	4
<b>Boiler Controls</b>	
Boiler Thermostat.....	4
Limit Thermostat.....	4
Hot Water (DHW) Mixing Valve.....	5
Programmable.....	5
Temperature/Pressure Gauge.....	5
To Turn off the Boiler.....	5
Clearances.....	5
Frost Protection.....	5
Frost Precaution.....	5
Cleaning the Outside of the Casings.....	5
Registration of Purchase.....	7

**WARNING ! - this is about YOUR safety**  
Safe use of Kerosines and Gas Oils

**- Hazards**

- These fuels give off a flammable vapour when heated even moderately.
- This vapour ignites easily, burns fiercely and can be explosive.
- Vapour can flow along at ground level and collect as an explosive mixture in drains, cellars etc. at considerable distances from open containers or spillages.
- Fuels remove natural oils and fats, and may thus cause cracking and irritation of the skin.
- Gas oil may also cause irreversible damage to your health on prolonged or repeated skin contact.

**- Precautions**

- **ALWAYS HANDLE** fuels in the open air or in a well ventilated place, well away from all sources of ignition such as fires, sparks, hot surfaces and **DO NOT SMOKE**.
- **ALWAYS DRAIN** fuels using a proper fuel retriever, mechanical siphon or funnel.
- **NEVER SUCK** fuels up a tube by mouth. If accidentally swallowed - call a doctor - **DO NOT INDUCE VOMITING**.
- **NEVER APPLY** heat to a fuel tank, pipework or container.
- **AVOID INHALING** fuel vapour; it can make you light-headed and seriously impair your judgement.
- **ALWAYS STORE** fuels in a properly constructed and labelled tank.

**- If there is a Fuel Spillage**

- **IMMEDIATELY STOP/SWITCH OFF** all electrical and other ignition risks
- **REMOVE** all contaminated clothing to safeguard yourself against fire risk and skin damage. Wash the affected skin thoroughly with soap and water and remove the clothing to a safe, well ventilated place and allow to air before washing or dry cleaning.
- **CONTAIN** and smother the spill using sand, soil or other suitable incombustible material.
- **DO NOT ALLOW** spilled fuel to escape into drains or water courses. If fuel does enter a drain, warn the Water Authority and Fire Brigade.
- **CONSULT** your Local Authority about disposal of contaminated soil.
- **FIRST AID** if fuel is accidentally swallowed, **SEEK IMMEDIATE MEDICAL ATTENTION - DO NOT INDUCE VOMITING**.  
If fuel is splashed into eyes, wash out with running water for at least 10 minutes and **SEEK IMMEDIATE MEDICAL ATTENTION**.

**SEDBUK Declaration for Statesman (Kerosine)**

Model	Seasonal Efficiency (SEDBUK) (%)
System	82.3
Flowsure	82.3
Flowsure +	85.1

**SEDBUK Declaration for Statesman (Gas Oil - Mid Range)**

Model	Seasonal Efficiency (SEDBUK) (%)
System	82.7
Flowsure	82.9
Flowsure +	85.5

This value is used in the UK Government's Standard Assessment Procedure (SAP) for energy rating of dwellings. The test data from which it has been calculated have been certified by 1053.

### WARNING:

**Do not attempt any cleaning or maintenance without first switching OFF the electricity and oil supply**

## Electricity Supply

This boiler must be earthed. Connection should be made to a 230V 50Hz supply. The boiler must be protected by a 5 amp fuse through a double pole isolating switch.

**Warning:** Do not exchange neutral with live, this will cause damage to the burner controls.

## Oil Supply

The boiler will have been adjusted by your installer to burn either:

- Kerosine  
(Class C2, 28 second viscosity to BS 2869 Pt 2:1998)
- or Gas Oil  
(Class D, 35 second viscosity to BS 2869 Pt 2:1998)

**Balanced flue boilers should not be fired on Gas Oil.**

**Note: If the oil tank is run dry you will be charged if an engineer is called to bleed the pump of air, after the tank is refilled.**

## The Fuel Tank

Do not allow the level of the oil to fall to the bottom of the tank as sludge might be sucked into the fuel pipe.

If possible, switch off the burner before any fresh supply of oil is delivered and start it again about one hour later to give any dirt in the tank a chance to settle.

## Air Supply

Your installer will have made arrangements for an adequate supply of fresh air to the boiler, to ensure safe operation. Do not block any air supply vents, which may be in the wall of the boiler room, without consulting your installer or service engineer. If the boiler is installed in a compartment, do not use the compartment for storage purposes, and do not obstruct any ventilation openings.

## Operation of the Burner

### Statesman System

The burner is completely automatic and is controlled either by a boiler or room thermostat. It starts when the water or air temperature falls below that set on the thermostat and stops as soon as the desired temperature is reached.

Ancillary controls i.e., room/cylinder thermostats should be installed to give additional economic operation.

### Flowsure & Flowsure+

In addition to the boiler or room thermostats, the burner is controlled by the boiler domestic hot water flow switch. The burner starts when any hot water tap is opened and stops when closed, in conjunction with the DHW set temperature.

## To Light the Boiler

Check that there is oil in the oil tank, and that all stop valves in the oil supply pipe are open. Switch on the electricity supply to the boiler, set the boiler controls and any internal/external timer or room thermostat to the required settings. The boiler operation is automatic from this point.

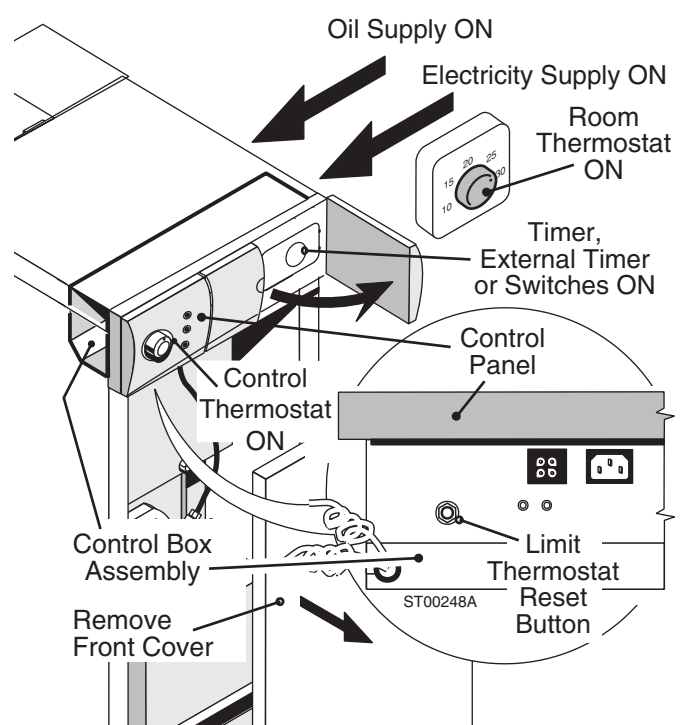


Fig. 1

## Failure to Light

If the boiler fails to light when required:

- WAIT FOR THREE MINUTES* to allow unburnt vapour to clear from the boiler.
- Check that the boiler thermostat, selector switch, timer or external timer, and room thermostat (where these are fitted) are all set to call for heat.
- Check that there is oil in the tank, and all stop valves in the oil supply pipe are open.
- Check that the mains electricity switch is on, and that the fuse has not blown.
- Remove the front casing by pulling forward off the mounting clips, press the reset button which will be illuminated on the burner cover.

If the boiler still does not light, turn off the electricity supply, and contact your installer.

## Boiler Controls

### Boiler Thermostat

- The Thermostat OFF position is designated, the knob must be turned to the minimum setting indicated by the first and smallest 'dot', at this position the hot water from the boiler will be at approximately 55 °C (130 °F).
- At the maximum setting, i.e., the last and largest 'dot' on the panel, the temperature of the outlet water will be approximately 82 °C (180 °F).

For milder or summer conditions it may be advisable to set the knob on or about the seventh 'dot' from minimum.

Never leave the boiler thermostat at a setting between "OFF" and the minimum setting, otherwise serious corrosion of the boiler will occur. See Fig. 2.

### Limit Thermostat

- The Limit Thermostat operates if the boiler overheats for any reason. This is shown by the overheat light being lit. Should this happen at any time, remove the front casing by pulling forward off the mounting clips and press the overheat reset button (See Fig. 1). If the problem occurs again, turn off the electricity supply and contact your installer.

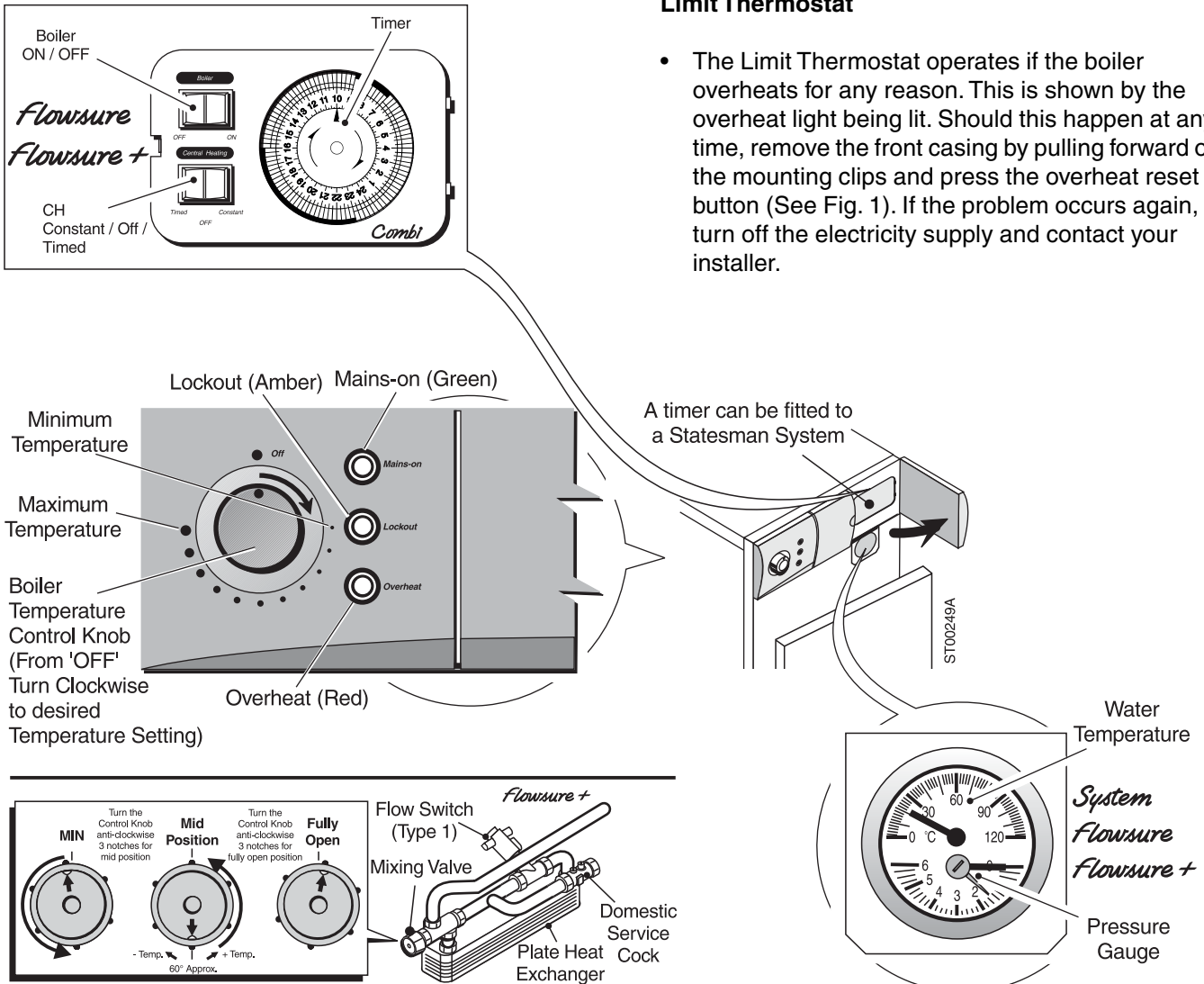


Fig. 2

### DHW Mixing Valve (Flowsure+ Only)

The hot water (DHW) mixing valve is factory set to the mid position, this will give a blended water temperature of approximately 60 °C. After removing the front casing (Pull forward off the mounting clips), the control knob (top right, behind control panel) will be accessible and can be turned as required. Clockwise to decrease and anti-clockwise to increase temperature - See Fig. 2.

### Programmiers

#### Statesman System

The operation is shown in the instructions supplied with the programmer kit.

**Important:** Where this programmer is fitted to existing gravity systems without independent temperature control of the domestic hot water (i.e. cylinder thermostat/zone valve), it will not be possible to use all the available programme options (i.e. central heating cannot be operated separately from hot water).

#### Statesman Flowsure, Flowsure +

These models are fitted with an Electro Mechanical programmer as standard. The operation of this is shown on Page 6.

### Temperature/Pressure Gauge

The combined temperature/pressure gauge provides visual indication of the system primary water temperature and pressure. The indicated pressure should not be greater than 2.5 bar, or less than 0.5 bar.

### To Turn Off the Boiler

#### For Long Periods

Switch off the electricity supply to the boiler.  
Close all stop valves in the fuel supply pipe.  
Clean flue and chimney.  
Clean boiler internal surfaces.  
For the winter period, drain entire system including the domestic water supply.  
To relight, refill system if previously drained and restore controls to the original settings.

#### For Short Periods

Disconnect the electricity supply, and shut off the oil supply at the storage tank.  
To relight, restore the oil supply, and then the electricity supply, reset the controls and timer, if fitted.

### Clearances

The boiler must have the following minimum clearances for servicing.

Front of Boiler	610mm	(24in)
Sides of Boiler		
<i>Balanced Flue</i>	6mm	(1/4in)
<i>Conventional Flue</i>	25mm	(1in)
Top of boiler	12mm	(1/2in)

**Note:** If the Flowsure or Flowsure+ models are installed under worktops, the worktops must be removable.

### Frost Protection

If frost is likely during a short absence from home, leave the heating controls on a time reduced setting. Alternatively a frost stat may be fitted.

Consult your installer on whether any other thermostat is required.

For longer periods, the entire system should be drained, including the domestic water supply.

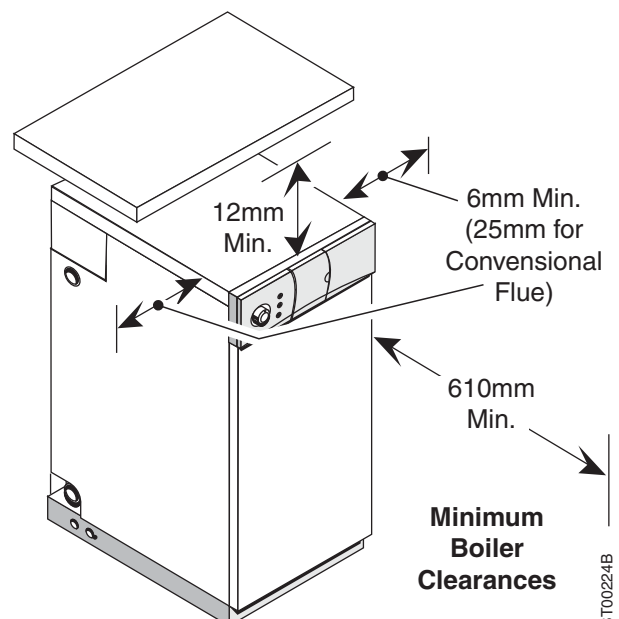
### Frost Precaution

A boiler which is shut down for several hours in very cold weather may be in danger of freezing due to its position (i.e. it may be in the outhouse, etc.) or part of the pipework of the system may be vulnerable to frost.

To avoid freezing, protection should be provided by adequate insulation, taking care not to impede the fresh air supply to the boiler.

### Cleaning the Outside of the Casings

The outside of the boiler casing can be wiped when necessary by using a damp clean cloth to remove finger marks etc. Do not use abrasive cleaners as this may damage the casing finish.



ST0024B

Fig. 3

## Programmers - Operation

### Electro Mechanical

Statesman Flowsure / Statesman Flowsure +

*Selector Switches:*

**Switch 'A'** At the top of the panel selects OFF when pressed down to the left and ON to the right.

**Switch 'B'** The mode switch at the bottom of the panel allows the central heating to operate either continuously (Constant) or for timed periods (Timed).

The centre position allows the central heating to be turned Off. i.e. during the summer months.

**Note:** Domestic hot water has priority over central heating.

*Time Clock:*

The integral time clock is based on a 24 hour outer ring.

**To set the clock:** Turn the outer 24 hour ring **clockwise** until the current time of day aligns with the '▲' on the inner ring. **Do NOT** turn anti-clockwise - you will damage the clock.

The two diagrams below show examples of the current time set at 10 am and 10 pm, remember, '10' is 10 in the morning and '22' is 10 in the evening.

**To set an on period:** Push the relevant tappets (each tappet represents 15 minutes) in towards the centre of the dial. The diagrams below show examples of 'On' periods.

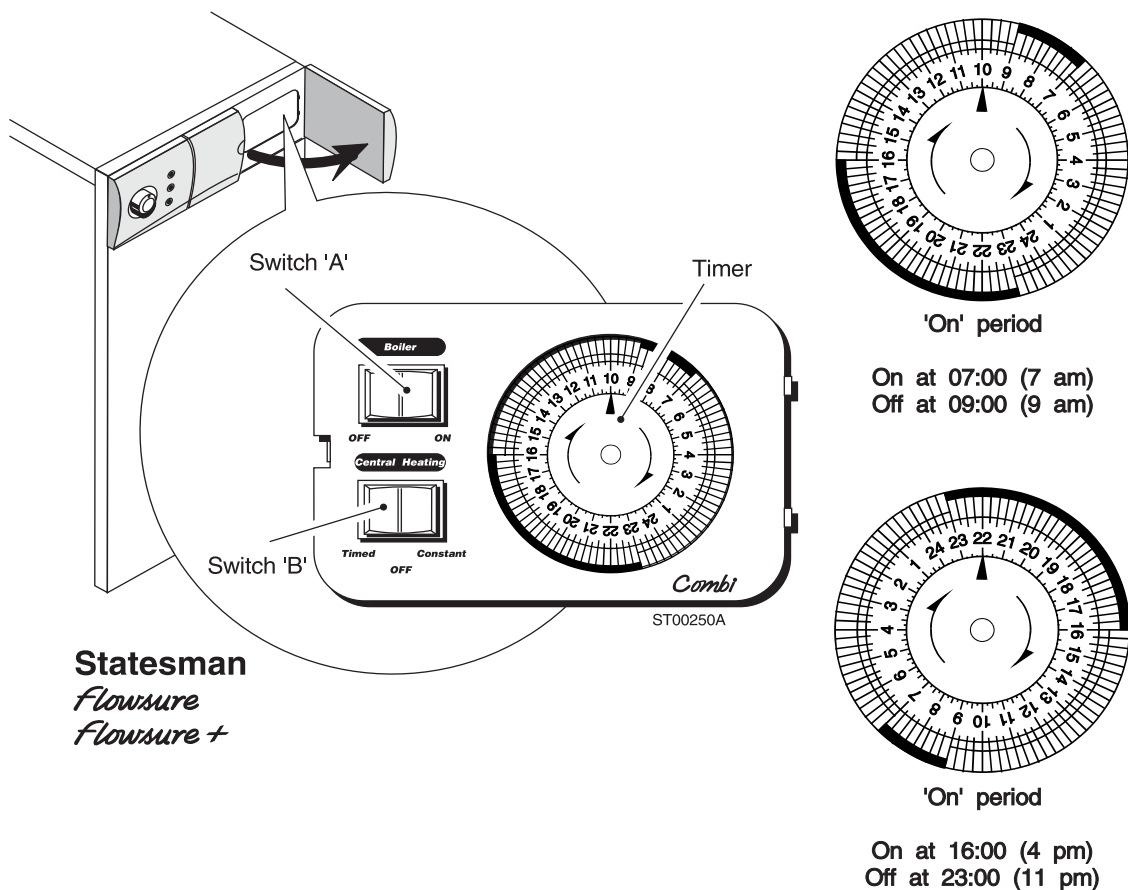


Fig. 4

### Care of your Boiler and System During the Guarantee Period and Beyond

#### 1. Registration of Purchase

Your Statesman boiler carries a full 2 year guarantee from the date of installation (or 30 months from the date of manufacture, whichever is the shorter) PROVIDING you register your purchase on the Registration of Purchase form supplied with these instructions.

If you do not register your purchase your guarantee is for 12 months from the date of installation (or 18 months from the date of manufacture, whichever is shorter).

This does not effect your statutory rights.

Registration of your guarantee also helps ensure you receive prompt and efficient handling in the event your boiler requires attention during the guarantee period.

To register your guarantee simply complete and detach the Registration of Purchase form enclosed with these instructions. It is important to include details of your installer and to return the completed form to the Potterton Registration Department.

#### 2. During the Guarantee Period

In the event of any problems with your system or the operation of the boiler, you should first call your installer. If there is a fault with the boiler under guarantee which your installer is unable to rectify, he will call Potterton Service Operations.

During the guarantee period Potterton will attend to any manufacturing defect, on the appliance only (not the system or ancillary controls), free of charge for parts and labour, subject to there being no misuse or abuse.

Service visits by Potterton Service Operations outside the terms of the boiler guarantee will be charged for both parts and labour at normal rates for chargeable work. During the period of the boiler guarantee, Potterton will only be responsible for the costs of work done by them or on their instructions by their Agent. We cannot accept any liability for expenditure or work done by other parties without our knowledge and/or approval.

#### 3. Servicing and Maintenance

To ensure efficient and trouble-free heating, it is most important that the boiler and burner are correctly serviced (see Section 4, Servicing and Maintenance in Installation & Service Instructions).

This is best carried out by entering into a service contract with your installer.

#### 4. Boiler Breakdown Insurance

We are pleased to offer you the opportunity to protect your investment once your initial boiler guarantee has expired (2 years providing you register your purchase) for a further 3 years and thereafter annually.

You can continue with this insurance for the normal life of your boiler and you will find special introductory offer for the 3 years additional cover together with a card to register your purchase, as part of the "User Pack" supplied with your boiler.

If you have not been handed a Registration Card/ additional 3 year Breakdown Insurance offer, please contact the Potterton Registration Department for a copy by telephoning 020 8944 4972.

**General Enquiries**

Tel. **08706 060 780**

**Technical \***

Tel. **08706 049 049**

**Service \***

Tel. **08706 096 096**

Fax. **01926 410 006**

**Literature Request**

Tel. **08706 060 623**

\* To aid continuous improvement and staff training, calls to this line may be monitored or recorded.

All descriptions and illustrations provided in this leaflet have been carefully prepared but we reserve the right to make changes and improvements in our products which may affect the accuracy of the information contained in this leaflet. All goods are sold subject to our standard Conditions of Sale which are available on request.

**POTTERTON**

Baxi Potterton  
Brownedge Road, Bamber Bridge  
Preston, Lancashire  
PR5 6SN

[www.potterton.co.uk](http://www.potterton.co.uk)